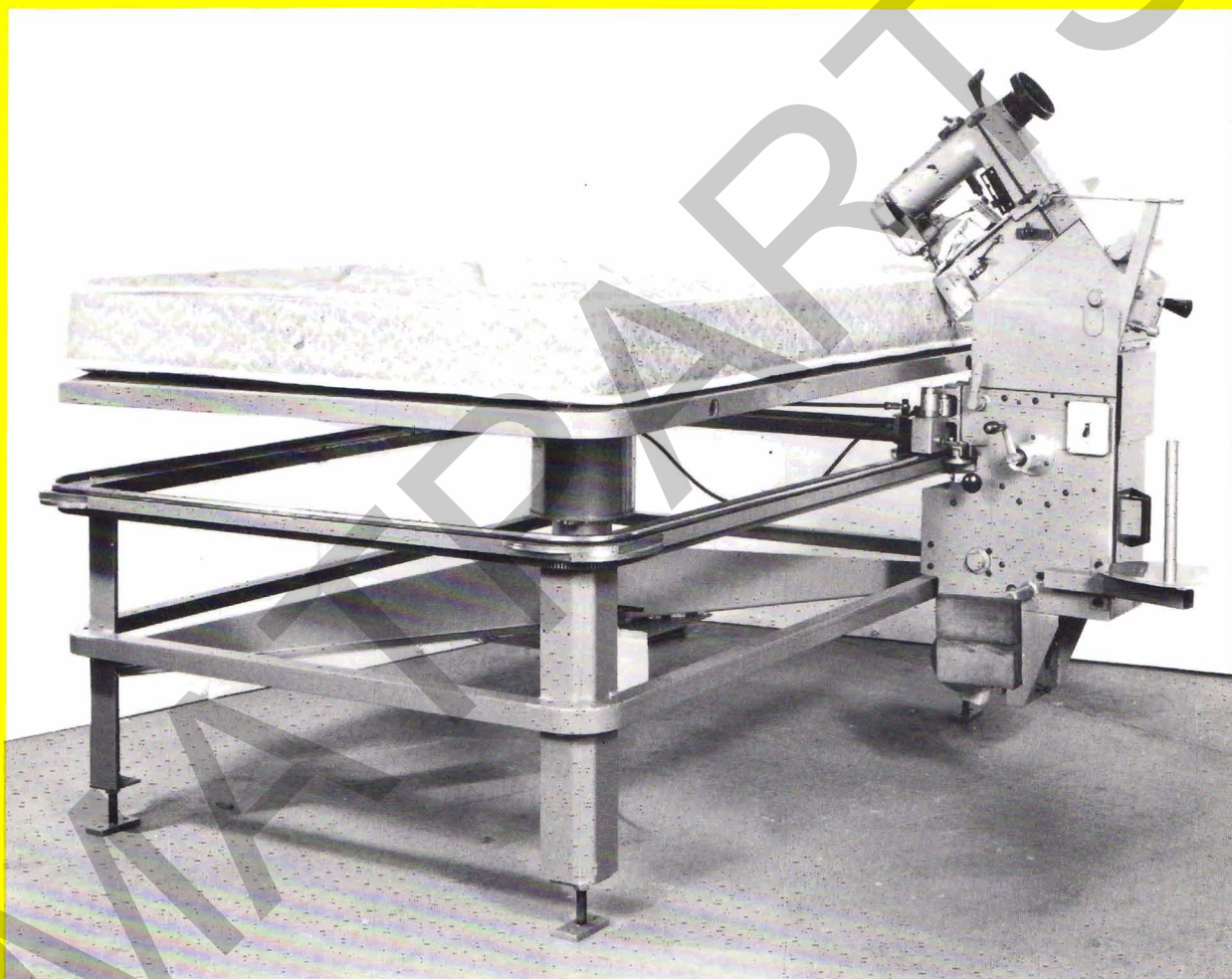


①



Fanghanel

MARK 3 TAPE-EDGE MACHINE



The Mk. 3 Tape-Edge Machine is suitable for closing all sorts of mattresses. It can join different thicknesses, from two layers of tick using a narrow tape, up to joining the border to a multi-needle quilted panel, using a wide tape. Single-fold binders are available for any tape width from 14mm to 40mm, and double-fold binders for tape up to 65 mm. The Piping Attachment enables a soft filler cord to be introduced to produce a "Jumbo Edge."

P. FANGHANEL & Co., LTD.
Holford House, Baldock, Herts, England.

INCLUDING
MK3 OPTIONS

300U HEAD

PLATE & BELT CLUTCHES

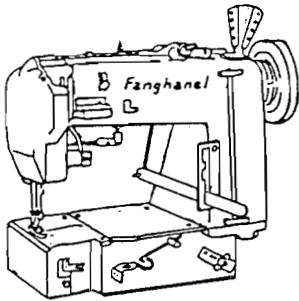
NEEDLE COOLING

POWERED RISE & FALL

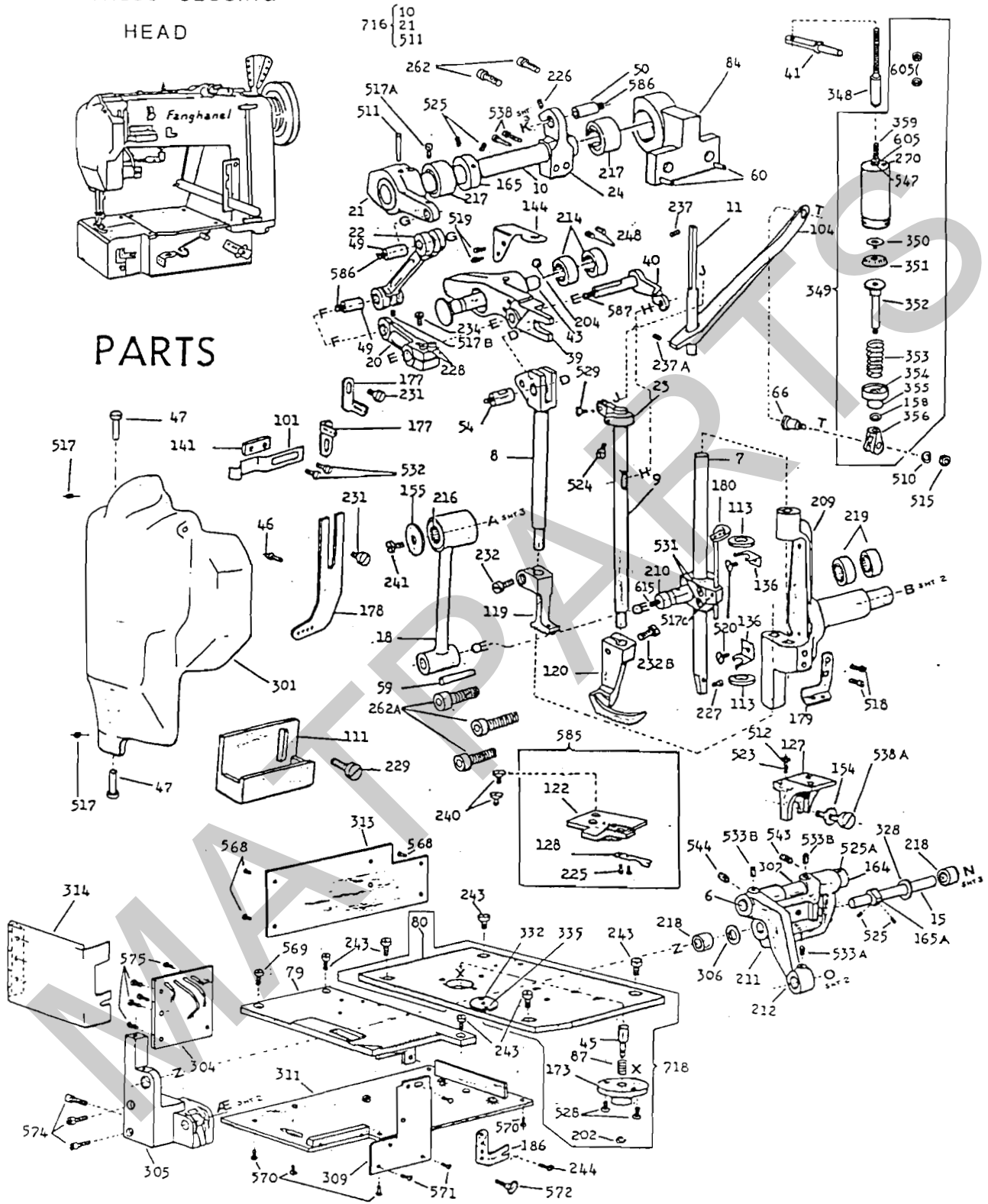
ELECTRONIC SPEED CONTROL

MATTRESS CLOSING

HEAD

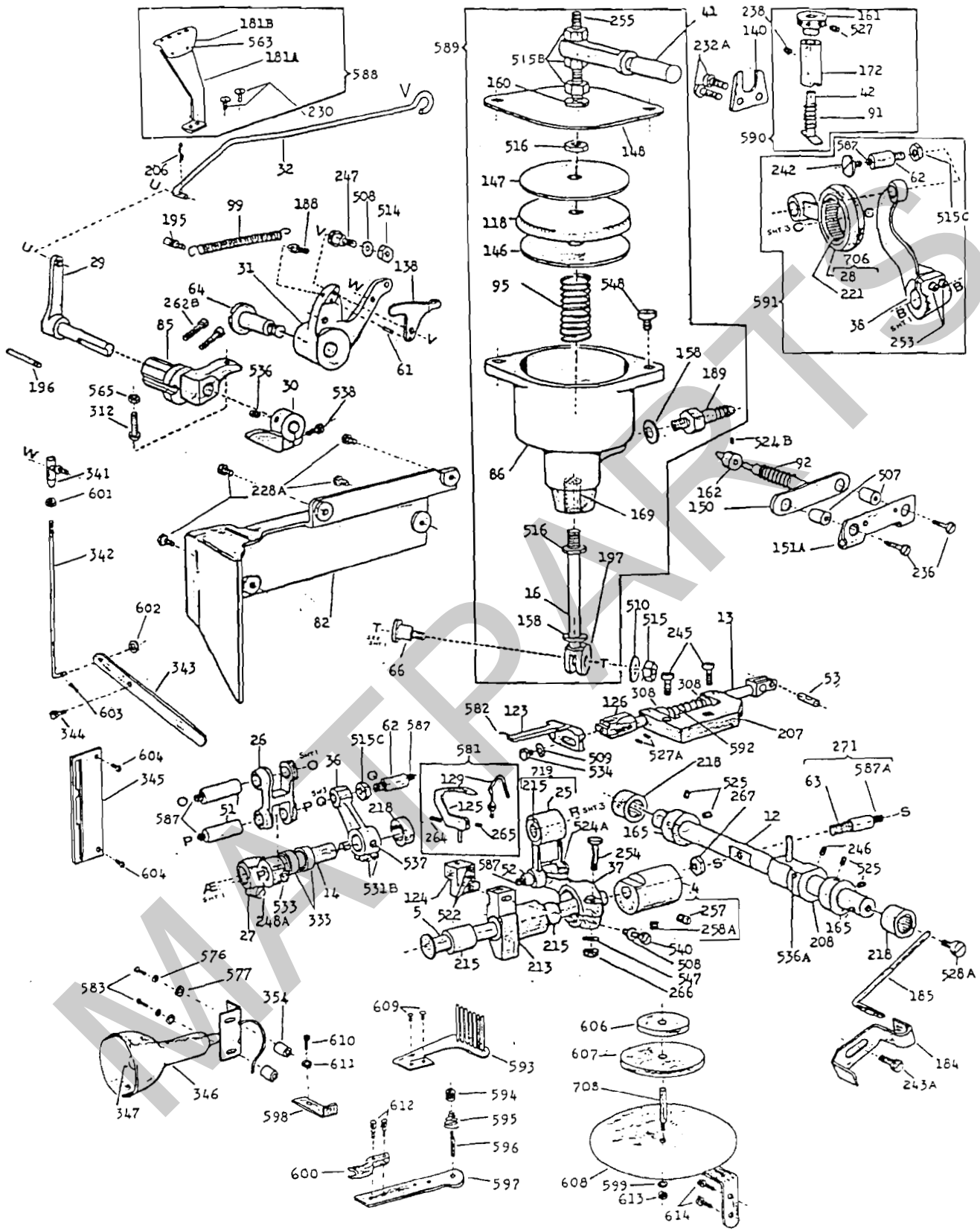


PARTS

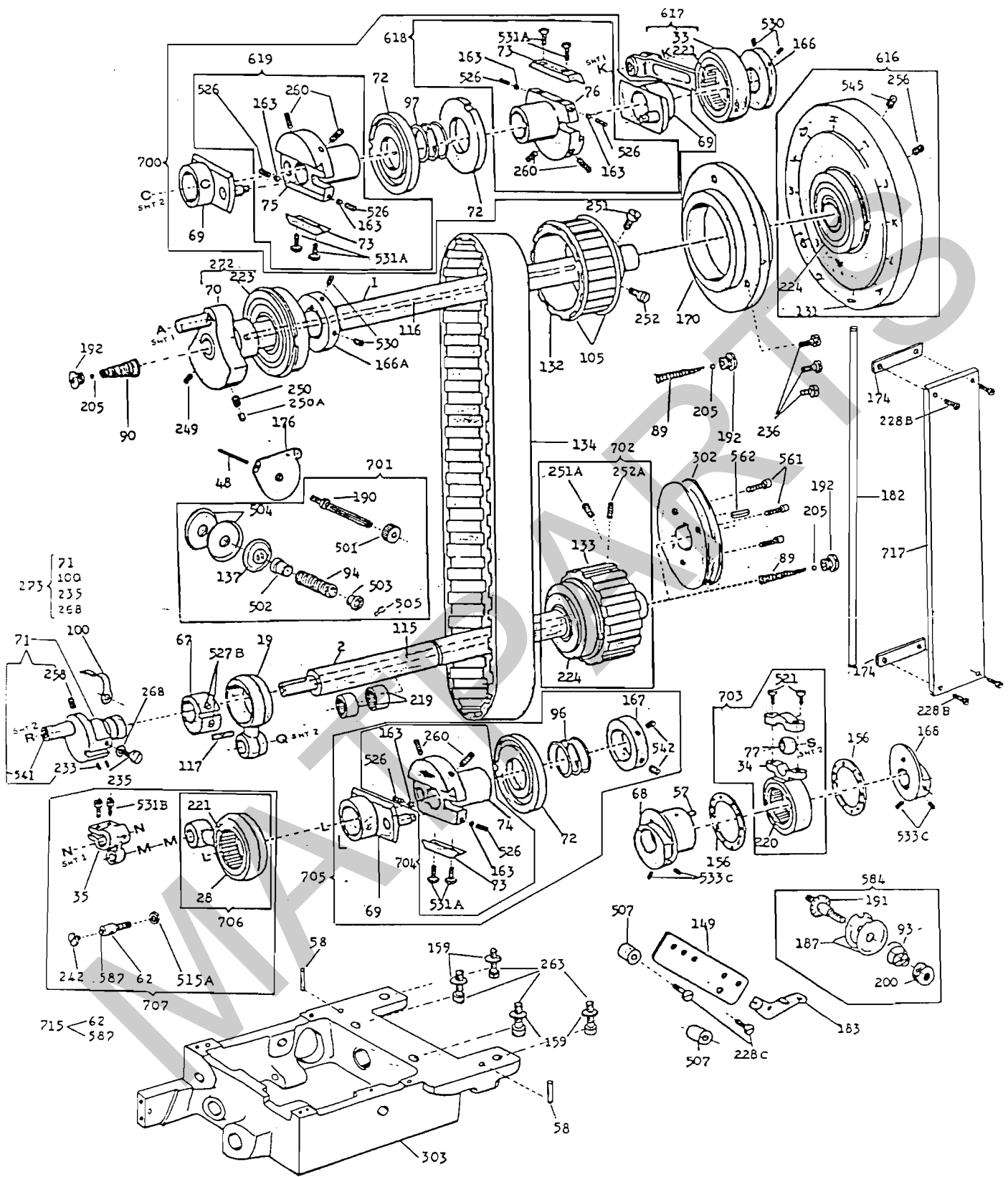


SINGER 300U
A2000/88

SHT 1/3



SINGER 300U
A2000/88



SINGER 3000
A2000/88

SINGER 300U.

<u>Ref. NO:</u>	<u>Part NO:</u>	<u>Part Name:</u>	<u>Illustration Sheet No:</u>
1	415128/41	Upper main shaft	3
2	415145/41	Lower main shaft	3
3			
4	2004/88	Looper shaft bushing - rear } with items 257 & 258.	2
5	1005/88		Looper shaft
6	2006/88	Feed bar hinge pin	1
7	2007/88	Needle bar	1
8	267657/41	Walking presser bar	1
9	267628/41	Lifting presser bar	1
10	267633/41	Foot lifting shaft	1
11	267907/41	Presser foot guide bar	1
12	415192/41	Spreader driving shaft	2
13	2013/88	Spreader bar	2
14	2014/88	Feed lifting shaft	2
15	2015/88	Feed driving shaft	1
16	415119/41	Air cylinder shaft	2
17			
18	2018/88	Needle bar crank rod	1
19	268074/41	Feed lifting connection	3
20	415061/41	Foot lifting lever	1
21	32788/41	Foot lifting shaft lever	1
22	267627/41	Foot lifting link	1
23	415059/41	Presser foot guide	1
24	415069/41	Lifting shaft lever	1
25	2025/88	Looper driving rod	2
26	2026/88	Feed lifting link	2
27	415204/41	Feed lifting lever	2
28	268060/41	Feed driving connection	2 & 3
29	267612/41	Foot lifter crank lever	2
30	415122/41	Foot lifting arm	2
31	2031/88	Foot lifting lever	2
32	267704/41	Foot lifting rod	2
33	268492/41	Lifting Eccentric Connection	3
34	Ref: 703	Spreader Driving Connection	3
35	415213/41	Feed Driving Shaft Lever	3

<u>Ref. NO:</u>	<u>Part NO:</u>	<u>Part Name:</u>	<u>Illustration Sheet No:</u>
36	415206/41	Feed Lever	2
37	415174/41	Looper Driving Lever	2
38	415094/41	Needle Bar Driving Lever	2
39	415067/41	Foot Lifting Lever	1
40	267631/41	Foot Lifting Lever	1
41	267714/41	Air Cylinder Support Pin	1 & 2
42	268148/41	Stitch Regulating Stud	2
43	267626/41	Lifting Lever Pin	1
44			
45	268081/41	Feed Adjusting Stud	1
46	268033/41	Head Cover Latch Pin	1
47	268330/41	Head Cover Hinge Pin	1
48	226206/41	Thread Release Pin	3
49	267617/41	Connecting Link Pin	1
50	267617/41	Connecting Link Pin	1
51	2051/88	Hinge Pin-Feed Lift with item 587.	2
52	268208/41	Hinge Pin	2
53	268190/41	Spreader Driving Pin	2
54	267658/41	Foot Lifting Pin	1
55			
56			
57	543808/41	Eccentric Pin 543808-002	3
58	415295/41	Arm-Bed Dowel Pin	3
59	548005/41	Arm-Bed Dowel Pin	1
60	543841/41	Dowel Pin 543841-001	1
61	543850/41	Pin for Thread Release 543850 - 001	2
62	415092/41	Hinge Pin	2 & 3
63	414575/41	Spreader Shaft Pin	2
64	201363/41	Lifter Lever Pin 201363(803)	2
65			
66	414567/41	Presser Hinge Screw	1 & 2
67	415210/41	Feed Lifting Eccentric	3
68	415187/41	Spreader Drive Eccentric	3
69	268064/41	Driving Eccentric	3
70	415138/41	Needle Bar Driving Crank	3

<u>Ref. NO:</u>	<u>Part NO:</u>	<u>Part Name:</u>	<u>Illustration Sheet No:</u>
71	415176/41	Looper Driving Crank 71 with items 233,258 & 541	3
72	268065/41	Eccentric Adjusting Disc	3
73	267623/41	Feed Eccentric Guide	3
74	415074/41	Feed Eccentric Flange	3
75	415079/41	Feed Eccentric Flange	3
76	415077/41	Feed Eccentric Flange	3
77	351876/41	Spreader Driving Ball	3
78			
79	1079/88	Throat Plate up to machine	1
	2323/88	Throat Plate from machine.....	1
80	2080/88	Bed Plate up to machine.....	1
	2325/88	Bed Plate from machine.....	1
81			
82	2082/88	Arm side cover	2
83			
84	415071/41	Lifting Shaft Bracket	1
85	2085/88	Presser Bar, Spring Arm Fulcrum	2
86	415117/41	Air Cylinder	2
87	270026/41	Spring	1
88			
89	268044/41	Oil Cap Spring (Large)	3
90	268009/41	Oil Cap Spring (Small)	3
91	214529/41	Regulating Stud Spring	2
92	204365/41	Thread Releasing Spring	2
93	10148/41	Looper Thread Tension Spring	3
94	131741/41	Needle Thread Tension Spring	3
95	267716/41	Air Cylinder Spring	2
96	268056/41	Adjusting Disc Spring	3
97	267618/41	Adjusting Disc Spring	3
98			
99	204348/41	Presser Lever Spring	2
100	268102/41	Crank Oil Hole Cover	3
101	268032/41	Face Plate Spring	1
102			
103			
104	267738/41	Presser Bar Spring Arm	1
105	202253/41	Spring Flange	3

<u>Ref. NO.</u>	<u>Part NO:</u>	<u>Part Name:</u>	<u>Illustration Sheet No:</u>
106			
107			
108			
109			
110			
111	267656/41	Silicon Oil Pot	1
112			
113	268144/41	Oiling Felt	1
114			
115	268265/41	Oil Control Rod (Bed)	3
116	268264/41	Oil Control Rod (Arm)	3
117	268077/41	Lubricating Pad (Wood)	3
118	267712/41	Cylinder Plunger Cup Washer	2
119	1119/88	Walking Presser Foot up to machine.....	1
	433/67	Walking Presser Foot from machine.....	1
120	413/67	Lifting Presser Foot	1
121			
122	1122/88	Feed Dog up to machine.....	1
	2331/88	Feed Dog from machine.....	1
123	2123/88	Spreader Set (with Point 582)	2
124	2124/88	Looper holder up to machine.....	2
	2321/88	Looper holder from machine.....	2
125	268380/41	Looper	2
126	415196/41	Spreader Holder	2
127	415208/41	Feed Dog Shank	1
128	267665/41	Loop Deflector	1
129	268310/41	Needle Guard	2
130			
131	415154/41	Hand Wheel	3
132	415157/41	Belt Pulley - Upper	3
133	2133/88	Belt Pulley - Lower	3
134	268270/41	Timing Belt	3
135			
136	268278/41	Oiling Felt Holder	1
137	32572/41	Tension Releasing Disc	3
138	267707/41	Needle Thread Release Plate	2
139			

<u>Ref. NO:</u>	<u>Part NO:</u>	<u>Part Name:</u>	<u>Illustration Sheet No:</u>
141	415016/41	Face Plate Lock Spring Plate	1
142			
143			
144	267718/41	Spring Ball Bracket	1
145			
146	267711/41	Cylinder Plunger Disc	2
147	267713/41	Cylinder Plunger Washer	2
148	267709/41	Air Cylinder Lid	2
149	415255/41	Looper Thread Tension Bracket	3
150	415357/41	Needle Thread Tension Releaser	2
151A	268167/41	Needle Thread Tension Bracket	2
152			
153			
154	4543804/41	Washer 543804-004	1
155	268139/41	Washer for Needle Bar Drive	1
156	268220/41	Washer for Spreader Drive	3
157			
158	267645/41	Washer for Air Cylinder	2
159	7543804/41	Arm Bed Set Washer 543804-007	3
160	548459/41	Spring Washer	2
161	415099/41	Regulating Stud Cap	2
162	415252/41	Needle Thread Tension Releaser	2
163	241763/41	Grub Screw Packing (Brass)	3
164	415202/41	Collar for Hinge Pin	1
165	415065/41	Collar Without Flat	1 & 2
165A	2165A/88	Collar With Flat	1
166	415086/41	Collar	3
166A	415308/41	Collar (Crank End)	3
167	412011/41	Collar	3
168	415190/41	Counter Balance Collar	3
169	267653/41	Air Cylinder Bushing	2
170	268004/41	Ball Bearing Housing (Rear)	3
171			
172	268149/41	Regulating Stud Sleeve	2
173	268082/41	Feed Regulating Stud Socket	1

<u>Ref. NO:</u>	<u>Part NO:</u>	<u>Part Name:</u>	<u>Illustration Sheet NO:</u>
174	268500/41	Tube Clamp	3
175			
176	54279/41	Needle Thread Eyelet	3
177	268513/41	Needle Thread Guide	1
178	268312/41	Needle Thread Guide	1
179	268219/41	Needle Bar Frame Thread Guide	1
180	268512/41	Needle Thread Guide	1
181A	268111/41	Looper Thread Guide Set	2
181B	268505/41	Looper Thread Guide	2
182	268123/41	Looper Thread Tube	3
183	268333/41	Looper Thread Tension Guide	3
184	268051/41	Looper Thread Guide	2
185	268052/41	Looper Thread Take Up Rod	2
186	2186/88	Looper Thread Guide	1
187	412203/41	Tension Disc	3
188	414570/41	Spring Screw Eye	2
189	994778/41	Hose Connection	2
190	50326/41	Needle Thread Tension Stud	3
191	415291/41	Looper Thread Tension Stud	3
192	414578/41	Oil Stop Ball Screw	3
193			
194			
195	544336/41	Screw for Spring	2
196	414566/41	Stop Screw Stud	2
197	415113/41	Spring Stopper Fork	2
198			
199			
200	541452/41	Tension Thumb Nut	3
201			
202	240245/41	Retaining Clip	1
203			
204	276025/41	Ball for Presser Spring	1
205	268214/41	Oil Stop Ball	3
206	248423/41	Cotter Pin	2
207	268184/41	Spreader Bar Bracket	2
208	415194/41	Spreader Drive Crank	2

<u>Ref. NO.</u>	<u>Part NO:</u>	<u>Part Name:</u>	<u>Illustration Sheet No:</u>
209	415045/41	Needle Bar Rock Frame	1
210	2210/88	Needle Bar Connecting Stud	1
211	2211/88	Feed Driving Frame	1
212	415198/41	Feed Bar Set	1
213	2213/88	Looper Carrier	2
214	267093/41	Needle Bearing	1
215	268099/41	Needle Bearing	2
216	270266/41	Needle Bearing	1
217	267110/41	Needle Bearing	1
218	268071/41	Needle Bearing	1 & 2
219	268029/41	Needle Bearing	1 & 3
220	415368/41	Needle Bearing	3
221	415368/41	Needle Bearing	2 & 3
222			
223	32848/41	Arm Shaft Bearing (Front)	3
224	272142/41	Arm Shaft & Lower Shaft Bearing (Rear)	3
225	84161/88	Pan Hd. Screw up to machine.....	1
	229/41	Pan Hd. Screw from machine.....	1
226	414543/41	Screw	1
227	414519/41	Screw for Needle	1
228	414511/41	Screw	1
228A	545249/41	Screw up to machine.....	2
	545246	Screw 545246-452 from machine.....	2
228B	414639/41	Cheese Hd. Screw	3
228C	414532/41	Cheese Hd. Screw	3
229	504019/41	Pan Head Screw	1
230	414537/41	Pan Head Screw	2
231	414514/41	Pan Head Screw	1
232	83054/88	Pan Head Screw (Walking Foot) up to machine.....	1
	2232/88	Pan Head Screw (Walking Foot) from machine.....	1
232A	545205/41	Pan Head Screw 545205-451	2
232B	2232B/88	Cheese Head Screw (Lifting Foot)	1
233	545103/41	Grub Screw	3

<u>Ref. NO:</u>	<u>Part NO:</u>	<u>Part Name:</u>	<u>Illustration Sheet NO:</u>
234	141338/41	Doomed Pan Head Screw - Hardened	1
235	414563/41	Large Pan Hd. Screw	3
236	544336/41	Cheese Hd. Screw	2 & 3
237	544301/41	Grub Screw	1
237A	414530/41	Grub Screw	1
238	414527/41	Grub Screw	2

MATPARTS

<u>Ref. NO:</u>	<u>Part NO:</u>	<u>Part Name</u>	<u>Illustration Sheet No:</u>
239			
240	414518/41	Pan Hd. Screw	1
241	414517/41	Pan Hd. Screw	1
242	545297/41	Screw for Item 62	2
243	414508/41	Cheese Head Screw	1
243A	414510/41	Cheese Hd. Screw	2
244	414556/41	Cheese Hd. Screw	1
245	414524/41	Cheese Hd. Screw	2
246	544204/41	Grub Screw 544204-001	2
247	414577/41	Hinge Screw	2
248	544322/41	Clamp Screw	1
248A	414501/41	Pinch Screw	2
249	500272/41	Screw for Crank 500272-833	3
250	549024/41	Grub Screw	3
250A	544358/41	Check Screw	3
251	414546/41	Cheese Hd. Screw	3
251A	1251A/88	Grub Screw Flat Pt.	3
252	414546/41	Cheese Hd. Screw	3
252A	1252A/88	Grub Screw Domed Pt.	3
253	545136/41	Cheese Hd. Screw up to machine.....	2
	414790/41	Cheese Hd. Screw from machine.....	2
254	415292/41	Clamping Stud	2
255	350579/41	Support Stud Screw 350579 (819)	2
256	414526/41	Grub Screw, Flat Pt.	3
257	549024/41	Grub Screw, Flat Pt.	2
258A	500264/41	Grub Screw, Flat Pt. 500264-833	2
258	500264/41	Grub Screw 500264-833	3
259			
260	414555/41	Grub Screw	3
261			
262	414504/41	Cap Screw	1
262A	414504/41	Cap Screw	1
262B	350604/41	Cap Screw 350604 (869)	2
263	415361/41	Cap Screw	3
264	141478/41	Grub Screw	2

<u>Ref. NO:</u>	<u>Part NO:</u>	<u>Part Name:</u>	<u>Illustration Sheet NO:</u>
266	541198/41	Hex. Nut	2
267	545424/41	Hex. Nut	2
268	204925/41	Washer	3
269			
270	414523/41	Oil Screw	1
271	415293/41	Spreader Shaft Pin 63 with Item 587A	2
272	2272/88	Needle Bar Crank 70 with Item 223	3
273	415350/41	Looper Driving Crank 71 with Items 100, 235, & 268	3

MATPARTS

<u>Ref. NO:</u>	<u>Part NO:</u>	<u>Part Name:</u>	<u>Illustration Sheet NO:</u>
301	230L/88	Head Cover	1
302	1302-1/88	Pulley - Head Drive	3
303	2303/88	Sewing Machine Bed up to machine.....	3
	2322/88	Sewing Machine Bed from machine.....	3
304	1304/88	Plate Oiler Assembly up to machine.....	1
	2329/88	Plate Oiler Assembly from machine.....	1
305	2305/88	Support Brg. Block up to machine.....	1
	2324/88	Support Brg. Block from machine.....	1
306	2306/88	Hinge Pin Spacer Washer (Thick) up to machine.....	1
	2327/88	Hinge Pin Spacer Washer (Thick) from machine.....	1
307	2307/88	Hinge Pin Spacer Bush	1
308	1308/88	Felt Lub. Pad	2
309	1309/88	Cover Plate up to machine.....	1
	2326/88	Cover Plate from machine.....	1
310			
311	2311/88	Base Plate up to machine.....	1
	2330/88	Base Plate from machine.....	1
312	1312/88	Fulcrum Screw	2
313	1313/88	Back Plate	1
314	1314/88	Sewing Bed Cover	1
315			
316			
317			
318			
319			
320			
321			
322			
323			
324			

<u>Ref. NO:</u>	<u>Part NO:</u>	<u>Part Name:</u>	<u>Illustration Sheet NO:</u>
327			
328	2328/88	Hinge Pin Spacer Washer (Thin)	1
329			
330			
331			
332	2332/88	Packing Ring	1
333	9940/82	Needle Bearing	1
334			
335	2335/88	C'sk Screw	1

MATPARTS

<u>Ref. NO:</u>	<u>Part NO:</u>	<u>Part Name:</u>	<u>Illustration Sheet NO:</u>
341	1341/88	Ball Joint	2
342	1342/88	Presser Foot Lifting Rod	2
343	1343/88	Presser Foot Lifting Lever	2
344	1344/88	Presser Foot Lift Screw	2
345	1345/88	Lifting Lever Hatch Plate	2
346	1346/88	Lamp Holder	2
347	1347/88	Lamp	2
348	2348/88	Adaptor	1
349	415106/41	Assembly Presser Bar Pressure Control with Items 350 to 356 270, 359, 547 & 605	1
350	415115/41	Cap	1
351	267655/41	Cup Washer	1
352	415114/41	Plunger	1
353	267641/41	Spring	1
354	415109/41	Plunger Bearing	1
355	267653/41	Bushing	1
356	415113/41	Presser arm fork	1
357	1357/88	Spacer (2)	2
359	2359/88	Stud	1

<u>Ref. NO:</u>	<u>Part NO:</u>	<u>Part Name:</u>	<u>Illustration Sheet NO:</u>
501	51570/41	Thumb Nut for Tension	3
502	59538/41	Bushing for Tension	3
503	143657/41	Tension Spring Bushing	3
504	2102/41	Tension Disc	3
505	143658/41	Lockspring	3
506			
507	268121/41	Spacer	2 & 3
508	543804/41	Washer 543804-004	2
509	547670/41	Washer	2
510	548154/41	Washer	1 & 2
511	548035/41	Pin	1
512	541200/41	Hex. Nut	1
513			
514	541166/41	Hex. Nut 541166-003	2
515	545405/41	Hex. Nut	1 & 2
515A	541197/41	Hex. Nut	3
515B	201746/41	Hex. Nut	2
515C	541197/41	Hex. Nut	2
516	545476/41	Hex. Nut	2
517	1517/88	Soc. Grub Screw - Cup	1
517A	141424/41	Set Screw	1
517B	141424/41	Set Screw	1
517C	414545/41	Set Screw	1
518	414539/41	Screw	1
519	414548/41	Screw	1
520	414522/41	Pan Hd. Screw	1
521	414569/41	Cap Screw	3
522	414558/41	Screw	2
523	414559/41	Grub Screw	1
524	414512/41	Pinch Screw	1 & 2
524A	414516/41	Pinch Screw	1
524B	504048/41	Grub Screw	2
525	504020/41	Grub Screw	1 & 2
525A	414529/41	Grub Screw	1
526	414557/41	Grub Screw	3

<u>Ref. NO:</u>	<u>Part NO:</u>	<u>Part Name:</u>	<u>Illustration Sheet NO:</u>
527	414528/41	Grub Screw	2
527A	414529/41	Grub Screw	2
527B	544204/41	Grub Screw 544204-001	3
528	545249/41	Screw 545249-452	1
528A	504019/41	Pan Head Screw	2
529	414516/41	Screw	1
530	414529/41	Grub Screw	3
531	414511/41	Pinch Screw	1
531A	544286/41	Pan Hd. Screw	3
531B	414511/41	Pinch Screw	2 & 3
532	414534/41	Cheese Head Screw	1
533	545213/41	Grub Screw	2
533A	545213/41	Grub Screw	1
533B	544204/41	Grub Screw 544204-001	1
533C	414528/41	Grub Screw	3
534	414552/41	Hex. Head Slotted Screw	2
535			
536	545213/41	Grub Screw	2
536A	544204/41	Grub Screw 544204-001	2
537	414549/41	Grub Screw	2
538	414509/41	Cheese Head Screw	1 & 2
538A	414520/41	Cheese Head Screw	1
539			
540	414553/41	Hex. Head Screw - Slotted	2
541	2541/88	Domed C'sk Hld. Screw	3
542	544325/41	Grub Screw	3
543	500264/41	Grub Screw 500264-833	1
544	549024/41	Grub Screw	1
545	414525/41	Grub Screw	3
546			
547	548459/41	Washer	1 & 2
548	545156/41	Flat Head Screw	2
549			
550			
551			

<u>Ref. NO:</u>	<u>Part NO:</u>	<u>Part Name:</u>	<u>Illustration Sheet NO:</u>
552			
553			
554			
555			
556			
557			
558			
559			
560			
561	1561/88	Cap Screw	3
562	1562/88	Key	3
563	50169/41	Screw	2
564			
565	1565/88	Hex. Nut	2
566			
567			
568	1568/88	Button Hd. Screw	1
569	1569/88	Cheese Hd. Screw	1
570	1570/88	C'sk Screw	1
571	1571/88	Button Hd. Screw	1
572	1572/88	Thumb Screw	1
573			
574	1574/88	Cap Screw	1
575	1575/88	Button Hd. Screw	1
576	1576/88	Spring Washer	2
577	1577/88	Washer	2
578			
579			
580			
581	1268382/41	Looper S.A. with items 125, 129, 264 & 265	2
582	268162/41	Spreader Point	2
583	1583/88	Cap Screw, Soc. Hd.	2
584	415294/41	Lower Tension S.A. with items 93, 187, 191 & 200	3
585	2585/88	Feed Dog S.A. with items 122, 128 & 225 (2)	1

<u>Ref. NO:</u>	<u>Part NO:</u>	<u>Part Name:</u>	<u>Illustration Sheet NO:</u>
586	244071/41	Oil Packing Wick	1
587	268258/41	Oil Packing Wick	1, 2 & 3
587A	32825/41	Oil Packing Wick	2
588	268506/41	Looper Thread Guide S.A. with Items 181A, 181B, & 563 (4)	2
589	415116/41	Presser Bar Pressure Cylinder complete with Items 16, 86, 95, 118, 146, 147, 148, 158 (2) 160, 169, 189, 197, 255, 515 (3) 516 (2) & 548	2
590	415098/41	Regulating Stud S.A. with Items 42, 91, 161, 172, & 527	2
591	415093/41	Needle Bar Driving Lever S.A. with 28, 38, 62, 221, 242, 253, & 515	2
592	9776/82	Compression Spring	2
593	224742/41	Tape Tension	2
594	4090/82	Knurled Nut	2
595	167229/41	Spring	2
596	4087/82	Stud	2
597	259636/41	Binder Swing Plate	2
598	485/68	Binder Swing Plate Stop	2
599	1599/88	Lockwasher	2
600	1600/88	Binder	2
601	6360/99	Hex. Nut	2
602	108/99	Washer	2
603	127/99	Split Pin	2
604	1604/88	Pan Head Screw	2
605	541198/41	Hex. Nut	1
606	100/88	64mm. Dia. Tape Weight	2
607	822/66	150mm. Dia Tape Weight	2
608	964/88	Tape Holder	2
609	200169/41	Screw	2
610	1610/88	Cap Screw	2
611	1611/88	Washer	2
612	200507/41	Knurled Head Screw	2
613	1613/88	Hex. Nut	2
614	1614/88	Screw	2

<u>Ref. NO:</u>	<u>Part NO:</u>	<u>Part Name:</u>	<u>Illustration Sheet NO:</u>
615	202330/41	Needle Bar Wick	1
616	415153/41	Hand Wheel S.A. with Items 131, 224, 256, & 545	3
617	268493/41	Lifting Shaft Driving Rod S.A, with Items 33 & 221	3
618	415076/41	Feed Eccentric Flange S.A. with Items 73, 76, 163 (2) 260 (2) 526 (2) & 531A (2)	3
619	415078/41	Feed Eccentric Flange S.A. with Items 73, 75, 163 (2) 260 (2) 526 (2) & 531A (2)	3

MATPARTS